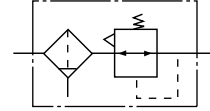


HNA Series 系列 气源处理元件 Air Filter Combination

HNAW series 系列 金属杯过滤减压阀 Filter regulator with metal cup



图形符号 Graphical symbols



技术参数 Specification

保证耐压力 / Pressure	1.5MPa (15kgf/cm ²)
最高使用压力 / Max Working Pressure	1.0MPa(10kgf/cm ²)
环境及流体温度 / Ambient and Fluid Temperature	5-60°C
*过滤精度 / Filter Precision	25μm
容器材料 / Container Material	铝压铸件 / Aluminum Die Casting
调压范围 / Pressure regulating range	0.05~0.85MPa(0.5~8.5kgf/cm ²)
阀型 / Valve type	带溢流型 / with overflow

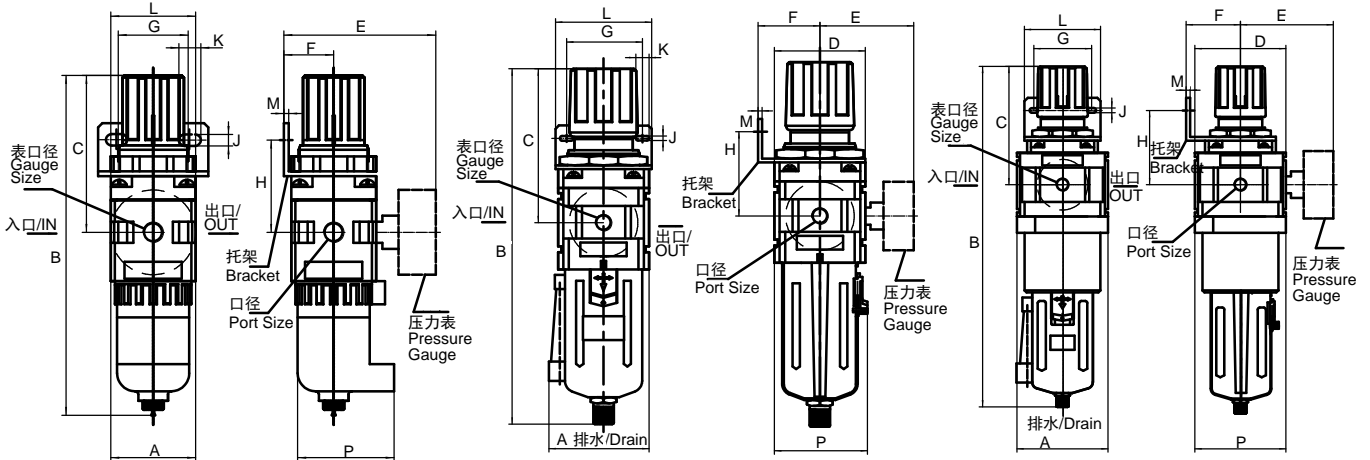
还有5、50μm可供选择。 / 5, 50μm available in addition

型号 Model	规格 / Specifications				配件 Accessories			自动排水型号 Auto Drain Model
	*额定流量 Rated Flow (L/min)	**接管口径 Port Size	压力表口径 Pressure Gauge size (G)	重量 Weight (kg)	托架 Bracket	压力表 Pressure Gauge	放水器功能 Drain function	
HNAW2000-01M	550	1/8	1/8	0.29	B220	G36-10-01	手动排水 Manual drain	HNAW2000-01MD
HNAW2000-02M		1/4						HNAW2000-02MD
HNAW3000-02M	2000	1/4	1/8	0.55	B320	G36-10-01	a. 停气排水 Air shut off drain b. 手动排水 Manual drain	HNAW3000-02MD
HNAW3000-03M		3/8						HNAW3000-03MD
HNAW4000-03M		3/8						HNAW4000-03MD
HNAW4000-04M	4000	1/2	1/4	1.16	B420	G46-10-02		HNAW4000-04MD
HNAW4000-06M		3/4	1/4					1.2
HNAW5000-06M	5500	3/4	1/4	1.79	B420	G46-10-02		HNAW5000-06MD
HNAW5000-10M		1						HNAW5000-10MD

*供应压力为0.7MPa (7.1kgf/cm²) 设定压力为0.5MPa(5.1kgf/cm²)的情况下

On condition that supply pressure is 0.7MPa(7.1kgf/cm²) and set pressure is 0.5MPa(5.1kgf/cm²)

**接管口径另有 Rc、NPT 螺纹可供选择 / Rc, and NPT port size are available.



型号 Model	口径 Port size (G)	A	B	C	D	E	F	G	H	J	K	L	M	P
HNAW2000	1/8~1/4	40	186.5	78	40	56.8	56.8	34	43.5	5.4	15.4	55	2.3	46
HNAW3000	1/4~3/8	57.5	232.5	92.5	53	60.8	60.8	40	46	6.5	8	53	2.3	55
HNAW4000	3/8~1/2	74	278	112	70	70.5	70.5	54	53.5	8.5	10.5	70	2.3	72.5
HNAW4000-06M	3/4	76.5	282	114	70	70.5	70.5	54	55.5	8.5	10.5	70	2.3	72.5
HNAW5000	3/4~1	90	355	116	90	75.5	75.5	54	62	8.5	10.5	70	2.3	90