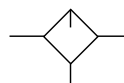


HNA 系列 气源处理元件 Series Air Filter Combination

HNAL 系列金属杯油雾器 series Lubricator with metal cup



图形符号 Graphical symbols



技术参数 Specification

| | |
|---|--|
| 保证耐压力 / Pressure | 1.5MPa (15kgf/cm ²) |
| 最高使用压力 / Max Working Pressure | 1.0MPa(10kgf/cm ²) |
| 环境及流体温度 / Ambient and Fluid Temperature | 5-60℃ |
| 建议用油 / Recommended Oil Use | 透平1号油 ISOVG32 / Turbine No.1 Oil ISOVG32 |
| 容器材料 / Container Material | 铝压铸件 / Aluminum Die Casting |

| 型号 Model | 规格 / Specifications | | | | | 配件 Accessories |
|--------------|--|---------------------------------|----------------------|--|----------------------|----------------|
| | *油滴量小流量 Minimal flow of oil drop (L/min) | **额定流量 Rated Flow (L/min) | ***接管口径 Port Size | 杯容量 Bowl capacity (cm ³) | 重量 Weight (kg) | 托架 Bracket |
| HNAL2000-01M | 15 | 800 | 1/8 | 25 | 0.17 | B240 |
| HNAL2000-02M | | | 1/4 | | | |
| HNAL3000-02M | 30 | 1700 | 1/4 | 50 | 0.30 | B340 |
| HNAL3000-03M | 40 | | 3/8 | | | |
| HNAL4000-03M | 40 | 5000 | 3/8 | 130 | 0.53 | B440 |
| HNAL4000-04M | 50 | | 1/2 | | | |
| HNAL4000-06M | 50 | 6300 | 3/4 | 130 | 0.59 | B540 |
| HNAL5000-06M | 190 | 7000 | 3/4 | 130 | 1.13 | B640 |
| HNAL5000-10M | | | 1 | | | |

*供应压力为0.5MPa (5.1kgf/cm²)情况下，油滴流量为5滴/分钟，透平1号油(ISOVG32)温度20℃情况下。

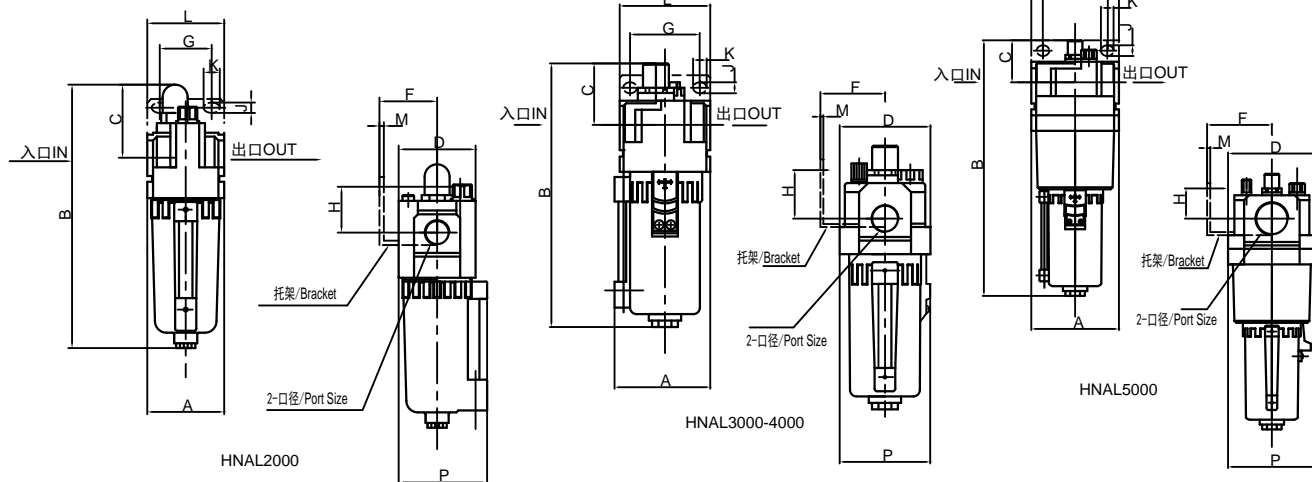
On condition that supply pressure is 0.5MPa(5.1kgf/cm²), Oil drop flow is 5 drops/min, use of No.1 oil and 20℃ temperature

**供应压力为0.5MPa (5.1kgf/cm²)，压降为0.03MPa(0.3kgf/cm²)情况下。

On condition that supply pressure is 0.5MPa(5.1kgf/cm²), Oil drop flow is 5 drops/min, use of No.1 oil and 20℃ temperature

*** 接管口径另有Rc.NPT螺纹可供选择。

Rc. and NT port size are available



| 型号 Model | 口径 Port size (G) | A | B | C | D | F | G | H | J | K | L | M | P |
|--------------|---------------------|------|-------|----|----|------|----|----|-----|------|----|-----|------|
| HNAL2000 | 1/8~1/4 | 40 | 137 | 38 | 50 | 30 | 27 | 22 | 5.4 | 8.4 | 40 | 2.3 | 46 |
| HNAL3000 | 1/4~3/8 | 57.5 | 154.5 | 38 | 53 | 41 | 40 | 23 | 6.5 | 8 | 53 | 2.3 | 55 |
| HNAL4000 | 3/8~1/2 | 74 | 185.5 | 41 | 70 | 50 | 54 | 26 | 8.5 | 10.5 | 70 | 2.3 | 72.5 |
| HNAL4000-06M | 3/4 | 76.5 | 185.5 | 39 | 70 | 50 | 54 | 25 | 8.5 | 10.5 | 70 | 2.3 | 72.5 |
| HNAL5000 | 3/4~1 | 90 | 262.5 | 45 | 90 | 66.5 | 66 | 35 | 11 | 13 | 90 | 3.2 | 90 |